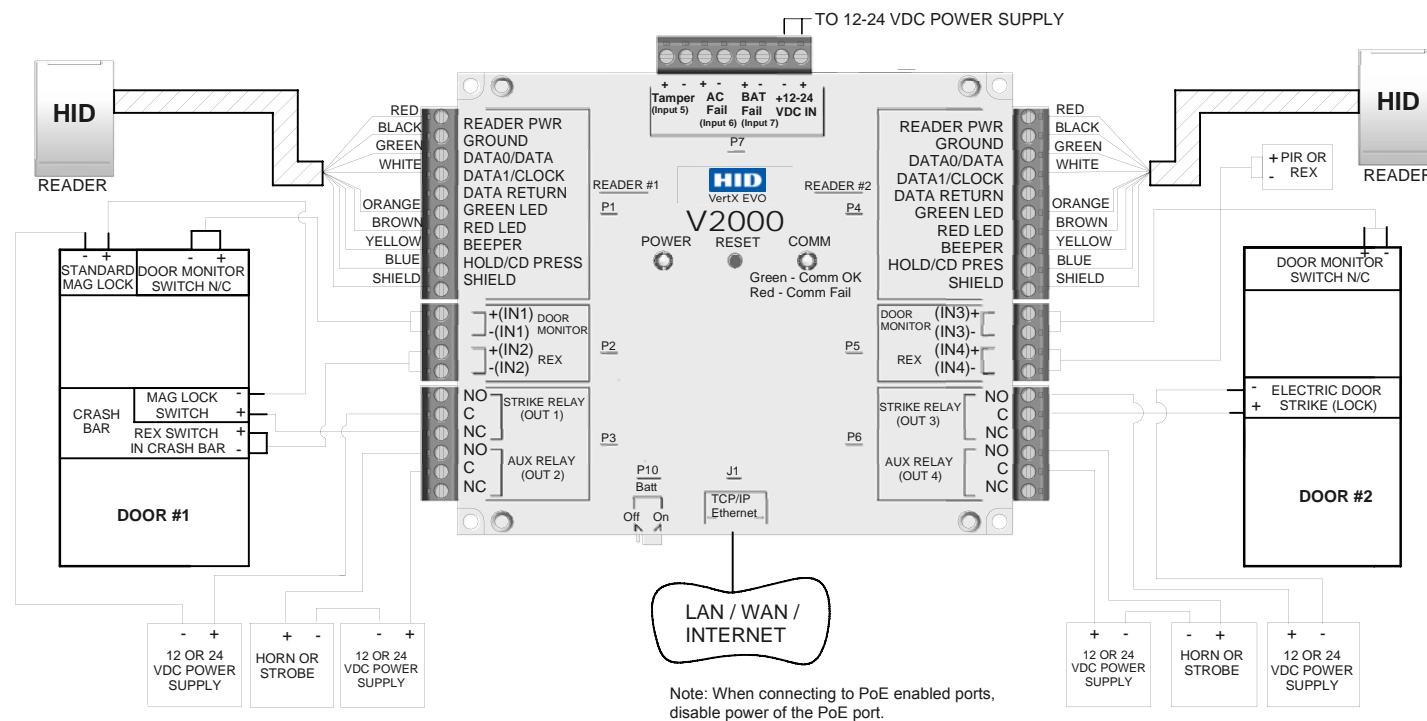


NOTES, UNLESS OTHERWISE SPECIFIED:

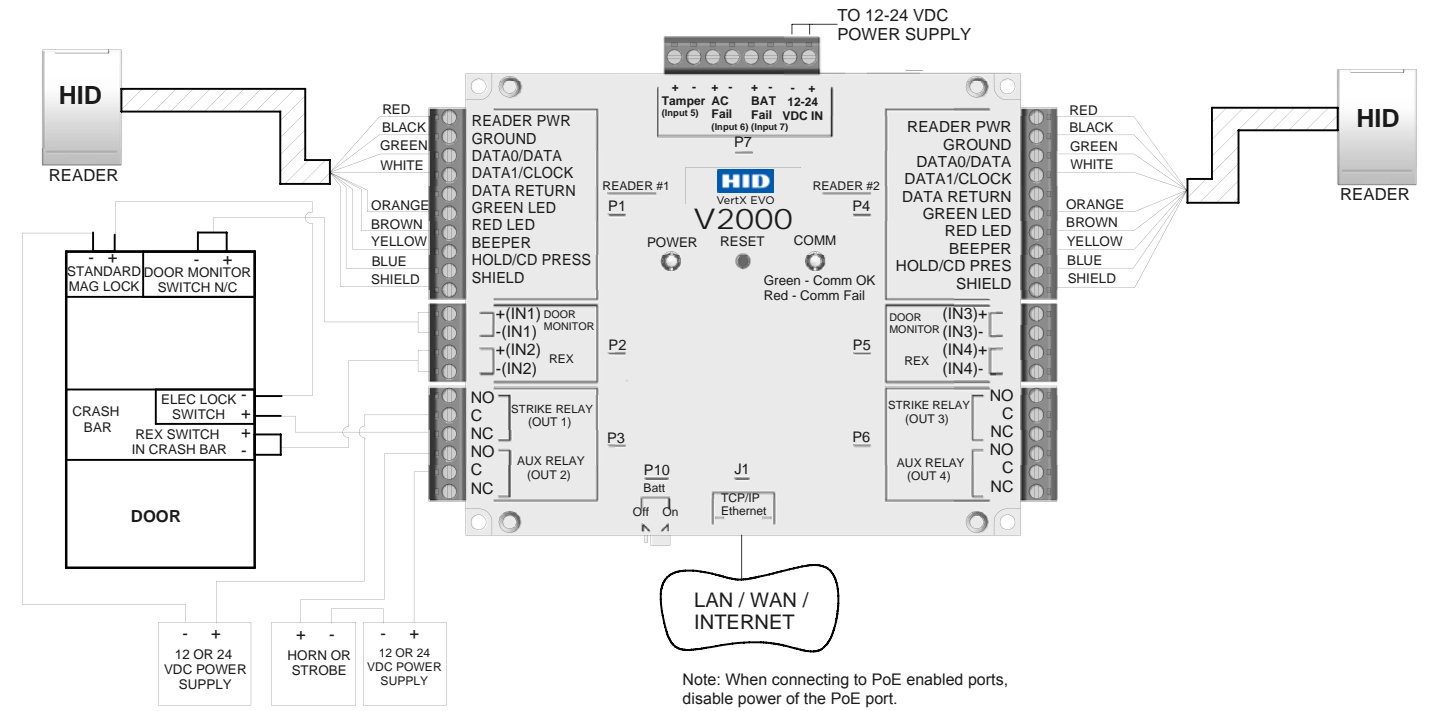
1. THIS VERTX INSTALLATION WIRING DIAGRAM IS INTENDED AS AN EXAMPLE ONLY, AND SHOULD NOT BE INTERPRETED AS AN HID CORPORATION RECOMMENDATION.
2. THE DEFAULT SETTINGS FOR ALL VERTX INPUT DEVICES ARE NORMALLY OPEN (N/O), EXCEPT DOOR MONITOR INPUT WHICH IS NORMALLY CLOSED (N/C).

CAUTION: Some magnetic locks exhibit both high inrush current when activated and a high instantaneous break voltage when de-energized due to magnetic field collapse. It is recommended you use of a snubber circuit across the controlling relay terminals to protect the controlling relay contacts. Go to support.hidglobal.com, see Solution 891 - How do I wire a High In-Rush Current locking device to VertX/Edge/Edge Solo?.

**V2000 - DOOR/READER INTERFACE
CARD IN / FREE OUT
(MOST COMMON OPTION)**



**V2000 - DOOR/READER INTERFACE
CARD IN / CARD OUT
(LESS COMMON OPTION)**



REVISION HISTORY			
REV	ECO #	DESCRIPTION	
A.2		P/N INCORRECT	

FIND NO	CAGE NO	QTY REQD	PART OR IDENTIFYING NO	NOMENCLATURE OR DESCRIPTION
EXCEPT AS NOTED DIMENSIONS ARE IN INCHES PER ANSI Y14.5M .XX .XXX ANGLES +/- .01 +/- .005 +/- .1				HID AUSTIN, TEXAS DWG TITLE V2000 INSTALL WIRING DIAGRAM EXAMPLE SIZE B CAGE CODE DWG NO 72000-902 REV A.4 SCALE: N/A SHEET: 1 of 1
DO NOT SCALE DRAWING		APPROVALS	DATE	
DWN rowen		171816		
DSGN				
FINISH				